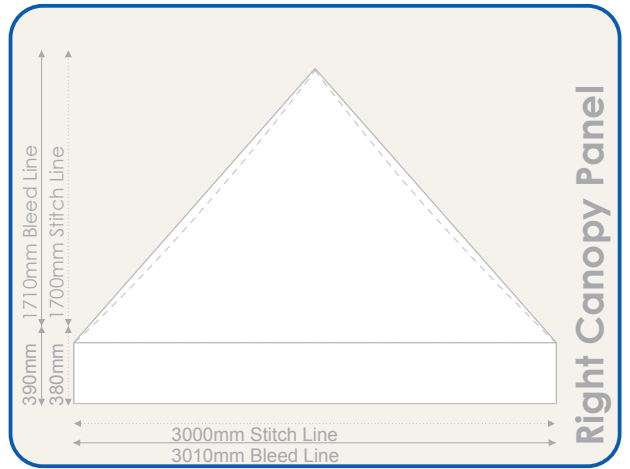
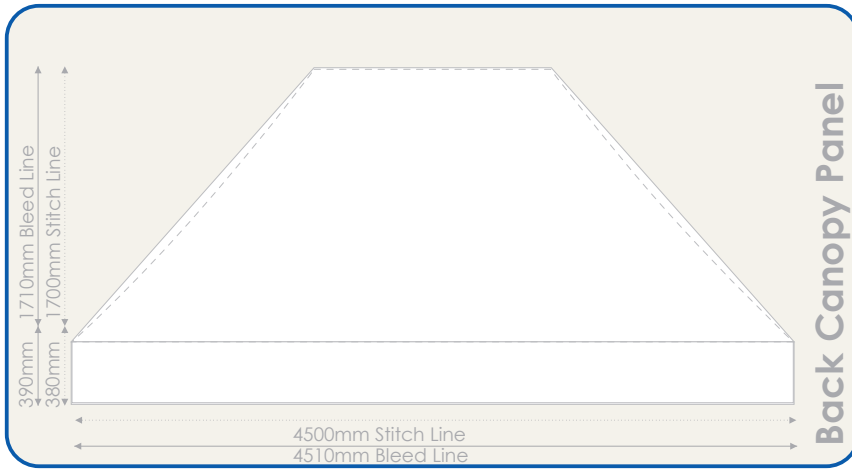
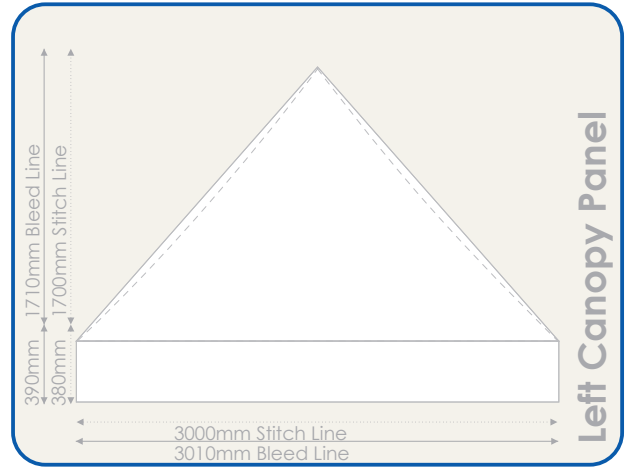


3M x 4.5M Frame TBC

Printed Sections:



**Artwork Note:**

Your logo has been quickly reproduced for this visual purpose and is only suitable to print at a low resolution. The logo provided when sized correctly was in a pixel based format at 19 dpi (the smaller the image the lower quality of print, we can print from 72dpi to a minimum of 300dpi. Pixelation appears at 72dpi, this is the minimum size recommended) We can print to this standard but for us to proceed at a higher quality we would need:

1. Vectors Format (perfect clear print & advised - we can redraw your logo at a fee if required.)
2. Pixel based format to full size at 300 dpi or higher.

If a pixel based image is sent it would have to match the gazebo colour or have a transparent background. We could not guarantee the invisibility of your background box as this would look like an applied patch.



CMYK - 0, 0, 0, 0

Stock

**Please Note:**

All artwork is printed in CMYK colour space. To ensure your correct artwork please convert all to an equivalent CMYK breakup with all fonts & strokes converted to outlines. Please be aware that slight colour variation may occur in the printing process from monitor to output. Rasterised artwork is printed at 300dpi. We advise full sized artwork supplied at 300dpi for best quality, we can work to 30dpi at a low quality print, Pixelation appears at 72dpi.

Our visuals are copyright protected & are not be forwarded to other companies otherwise an art working fee will be enforced.

Please check the following details are correct: Please fax back to 01295 261087

1. All company details.  or sign, scan, attach & reply to your emailed quote.
2. Spelling.
3. Phone numbers, Addresses + URL's.  Print Name. \_\_\_\_\_
4. Positioning of artwork.
5. Colours.
6. Correct size.  Signature. \_\_\_\_\_